

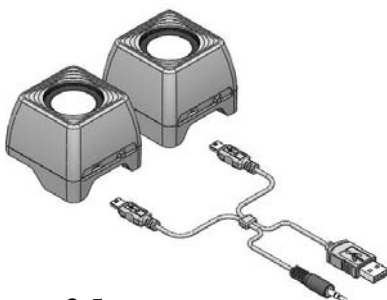
SP-303BX

Specification

1. Output: 3W
2. Power Source: Li-ion battery
3. Dimension: 60W x 60D x 50H (mm)
4. Speaker unit: 1.25 inch / 40hm
5. Power switch: Yes
6. Volume control: Yes
7. Frequency response: 250Hz--20KHz
8. Stereo: Yes



Audio/Power input



Power in put for charge

3.5 mm connector
for Audio input

Accesspro Electronics Co. Ltd.

www.speakermaker.com.tw