

OBO Pro.2.**SPECIFICATIONS****MODEL NO.
OBO-27P1****PART NAME
Piezoelectric Buzzer****SHEET
2 OF 4**

Model No. : OBO-27P1

Features: Built-in Circuit & Lead Wire Type

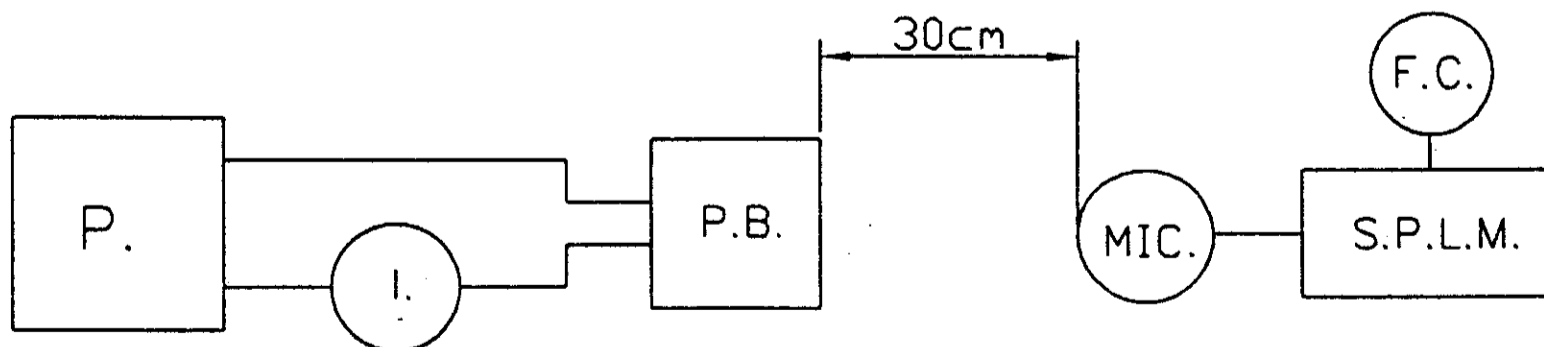
OBO PRO.
2005 JUL 28.
文件发行章

1. General Requirements

Items	Spec.
Sound Pressure Level	85dB min./30cm/DC9V
Oscillating Frequency	3.4 ± 0.5KHz
Current Consumption	6mA max./DC9V
Tone	Pulse Tone: 420ms±20%/period DC9V
Operating Voltage	DC 3 to 20V
Case Material	ABS (UL 94HB)
Operating Temp. Range	-20°C to +60°C
Storage Temp. Range	-30°C to +70°C
Weight	7.0gms

2. Test Method

2.1 Standard Test Diagram



P. : DC Power Supply GPC-3030D or Equivalent

S.P.L.M. : Sound Pressure Level Meter IEC651 TYPE2

I. : GDM-8145 Multimeter or Equivalent

F.C. : Function Generator GFG-8016G or Equivalent

P.B. : Piezoelectric Buzzer

OBO Pro.2

SPECIFICATIONS

MODEL NO.
OBO-27P1

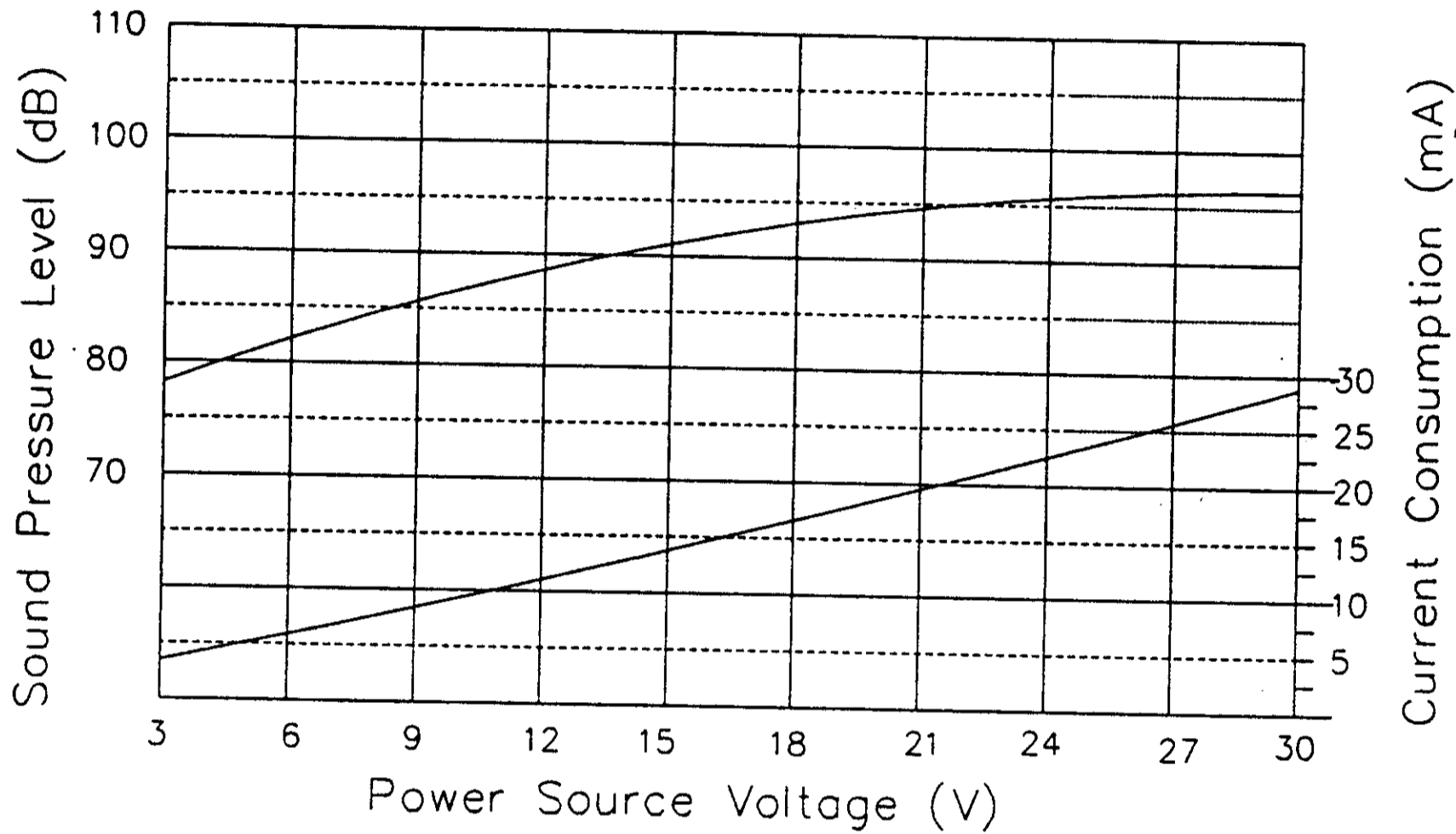
PART NAME
Piezoelectric Buzzer

SHEET
3 OF 4

2.2 Voltage/Sound Pressure/Current Consumption

Measurement Distance : 30cm./Sound Level Meter By IEC651 TYPE2

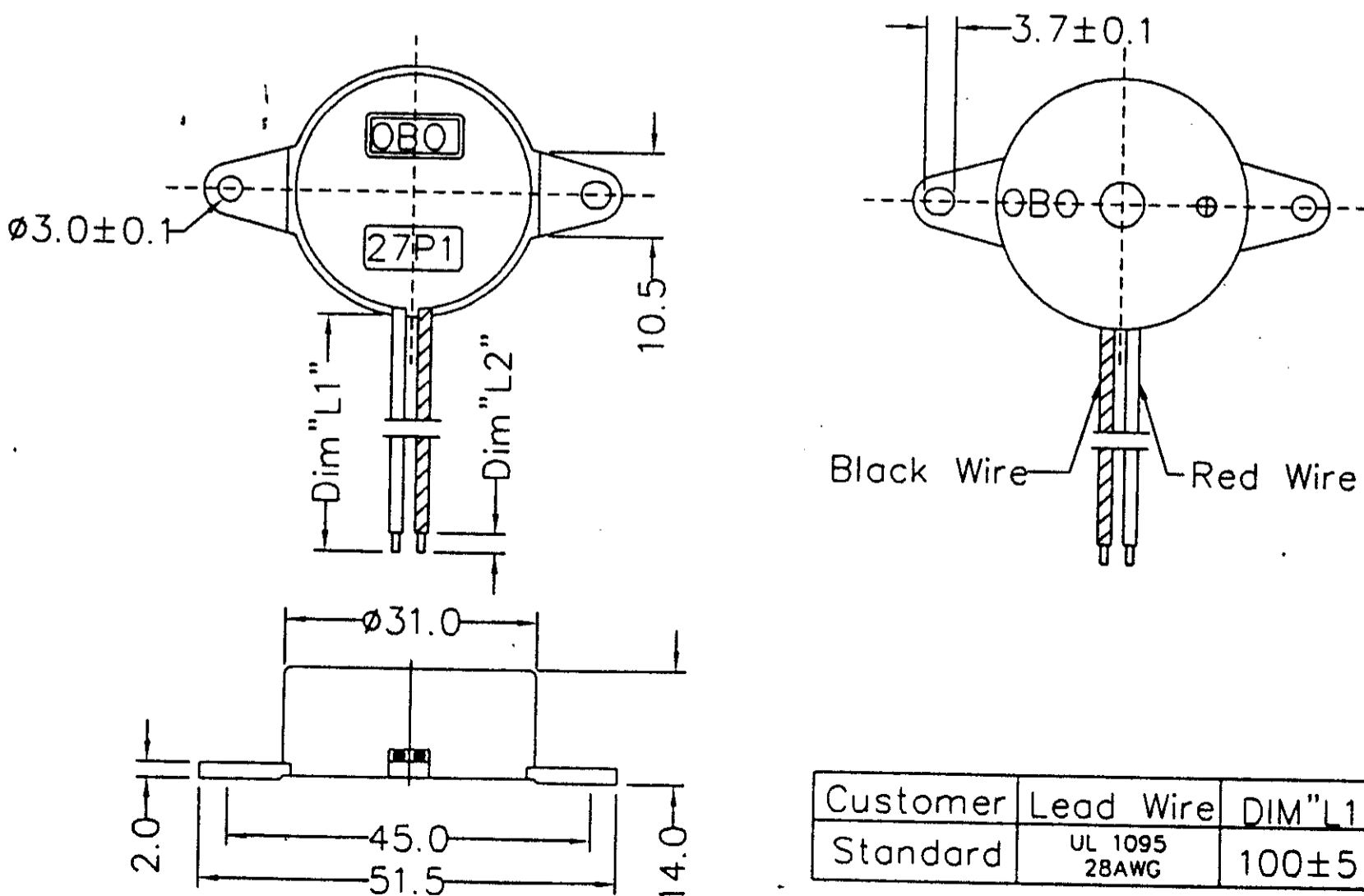
Current Consumption By GDM-8145/DC Power Supply By GPC-3030D



OBO
2005 JUL 28
文件发

3. Mechanical Layout and Dimensions:

Tolerance : ± 0.5 Unit : mm



Customer	Lead Wire	DIM "L1"	DIM "L2"
Standard	UL 1095 28AWG	100 \pm 5	3 \pm 1

OBO Pro.2

SPECIFICATIONS

MODEL NO.
OBO-27P1

PART NAME
Piezoelectric Buzzer

SHEET
4 OF 4

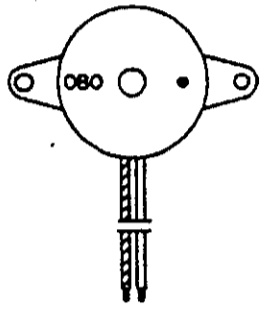
4. Soldering condition

4.1 Hand soldering / touchup

soldering iron tip temperature 350 C for 3 seconds.

OBO PRO.2
2005 JUL 28.
文件发行章

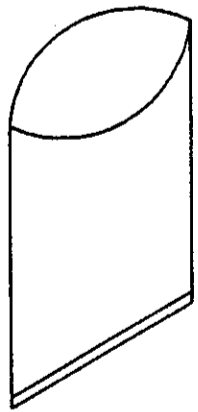
5. Package



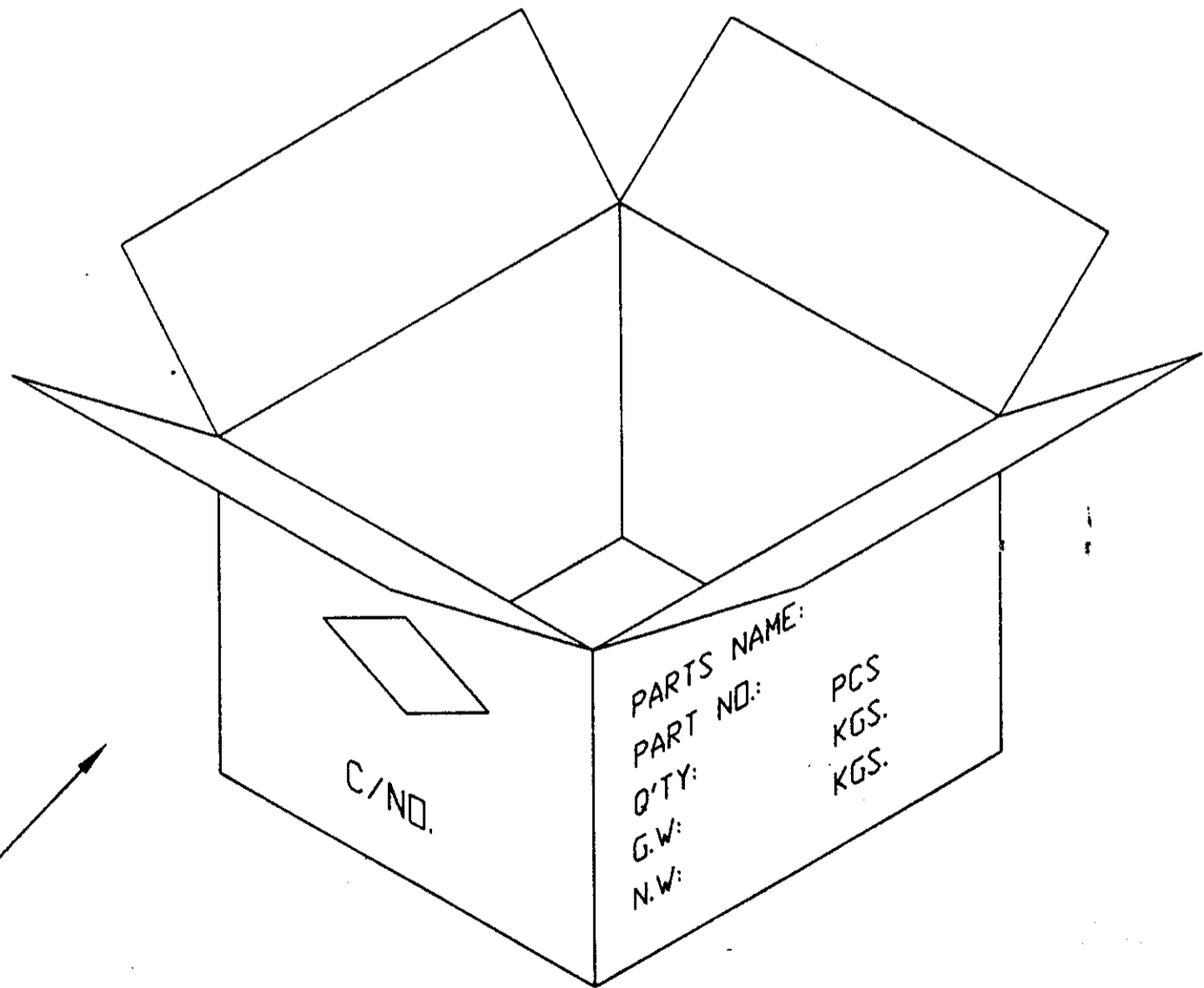
Buzzer

OBO Piezoelectric Buzzers

MODEL NO.	
LOT NO.	
QUANTITY	
DATE	



30pcs/ PE Bag
22*15.5*0.005cm



80 Bag(2,400pcs)/ Carton
1.74*(40.0*38.2*33cm)*1