

The High Performance Touch POS Terminal

Support second display high performance touch POS terminal with
small footprint empower high technique operation application

X-POS 950



Support 8.4" / 10.4"
Pole Second Display
and Attached VFD/ LCM
Customer Display



Support 12" / 15"
Second Display



Support Intel® Sandy Bridge
Quad / Dual Core CPU



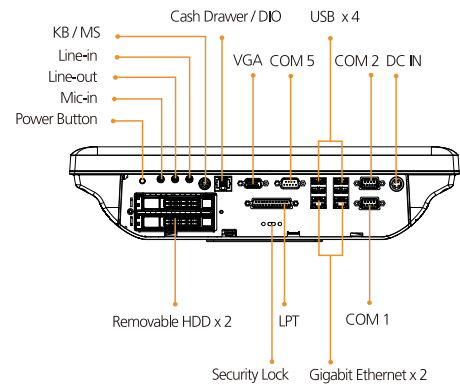
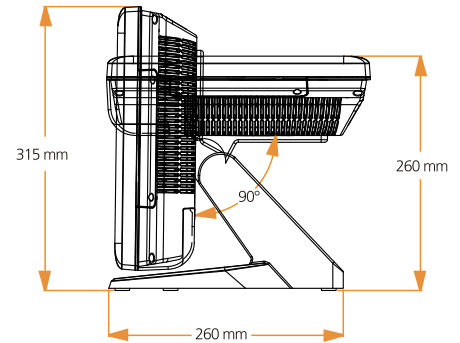
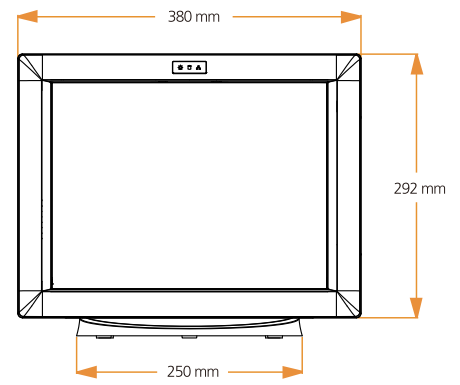
Support Dual LAN ,
Two Removable Hard Disk
Drive Bay and RAID Function



Be nice for our earth. It was printed with soy ink

Specifications

Model Name	X-POS 950	
Main Board	CPU	Intel® Sandy Bridge LGA1155 Core i7 - 2600 3.4 GHz / 4 core / 95 watt Core i5 - 2400 3.1 GHz / 4 core / 95 watt Core i3 - 2120 3.3 GHz / 2 core / 65 watt Pentium G850 2.9 GHz / 2 core / 65 watt
	Core Logic	Intel® Q67
	System Memory	DIMMx2, DDR3 1333 max. up to 8GB per channel
	OS Support	Windows® XP / WES, POSReady 2009, Windows 7
Display	TFT LCD Size	15"
	Brightness	250 nits , brightness adjustment by BIOS
	Resolution	1024 x 768
	Touch Screen	5 wire resistive type
	Tilt Angle	0°~90°
Storage Device	HDD	2 x 2.5" Removable HDD Drive Bay , RAID function
	CFast	1 x slot CFast
I/O Ports	Serial	5 x RS-232 COM 1 : RS-232/422/485, DB-9, Pin9 w/ RI/5V/12V Selectable by BIOS COM 2 / 5 : DB-9, Pin9 w/ RI/5V/12V Selectable by BIOS COM 3 : RS232, internal pin header for MSR COM 6 : RS232, internal pin header for Customer Display
	Parallel	1 x DB25
	USB	6 x USB 2.0
	PS/2 Keyboard / Mouse	1 x Mini-DIN
	LAN	2 x Gigabit Ethernet by RJ-45 , Support Wake on LAN
	Cash Drawer	1 x RJ11 (24VDC)
	Audio	MIC-in , Line-in , Line out
	VGA	1 x DB15
	Wall mount	Support VESA Mount
	Power Input	External adapter,180Watt, 19VDC input
Others	Color	Black
	Material	Plastic / Aluminum
	EMC& Safety Compliance	FCC / CE / WEEE / RoHS / VCCI
	Front Panel Protection	IP 65 compliance
	Weight	7.95 Kgs
	Dimension	380W x 260D x 315H (mm)
	Operating Temperature	0°C ~ 40°C
	Storage Temperature	-20°C ~ 60°C
Humidity	20% - 90% RH, non-condensing	



Ordering information

Main Unit

Part No.	Description
XPOS90-5B-I7	Touch POS Terminal w/ 15" TFT LCD, Intel® Sandy Bridge LGA1155 , Core i7 - 2600 3.4 GHz / 4 core / 95 watt
XPOS90-5B-I5	Touch POS Terminal w/ 15" TFT LCD, Intel® Sandy Bridge LGA1155 , Core i5 - 2400 3.1 GHz / 4 core / 95 watt
XPOS90-5B-I3	Touch POS Terminal w/ 15" TFT LCD, Intel® Sandy Bridge LGA1155 , Core i3 - 2120 3.3 GHz / 2 core / 65 watt
XPOS90-5B-P	Touch POS Terminal w/ 15" TFT LCD, Intel® Sandy Bridge LGA1155 , Pentium G850 2.6GHz/2 core /65 watt

Optional Accessories

Part No.	Description
61200002	Second Display , 8.4" TFT LCD monitor , USB Type
Z1300101	Second Display , 8.4" TFT LCD monitor , VGA Type
61200004	Second Display , 10.4" TFT LCD monitor , USB Type
Z1300102	Second Display , 10.4" TFT LCD monitor , VGA Type
T6012000	Second Display , 12.1" TFT LCD monitor , VGA Type
T5004000	Second Display , 15" TFT LCD monitor , VGA Type
LCM202J-B-AT	Customer display: LCM Attached, 20 columns x 2 lines, RS-232 Type
VFD202E-B-AT	Customer display: VFD Attached, 20 columns x 2 lines, RS-232 Type
VFD202N-B-AT	Customer display: VFD Attached, 20 columns x 2 lines, RS-232 Type, Support 2 Bytes character
LCM202J-B-PL	Customer display: LCM pole, 20 columns x 2 lines, RS-232 Type
VFD202E-B-PL	Customer display: VFD pole, 20 columns x 2 lines, RS-232 Type
VFD202N-B-PL	Customer display: VFD pole, 20 columns x 2 lines, RS-232 Type , Support 2 Bytes character
Z0500002	MSR-Front Type, 3 Tracks, PS/2 Type
Z0500003	MSR-Side Type, 3 Tracks, PS/2 Type
Z0500004	MSR-Side Type, 3 Tracks, PS/2 Type & Finger Print, USB Type
Z0500005	MSR-Side Type, 3 Tracks, PS/2 Type & i-Button, PS/2 Type

Part No. Description

Z0500006	MSR-Side Type, 3 Tracks, PS/2 Type & RFID, USB Type
20600040	CFast Card : 4GB
20600041	CFast Card : 8GB
20600042	CFast Card : 16GB
20900001	OS License: Windows XP Professional for Embedded Systems, English Version
20900023	OS License: Windows Embedded Standard, English Version
20900021	OS License: Windows Embedded POSReady 2009, English Version
20900025	OS License: Windows 7 Professional for Embedded Systems, English Version
20300030	Memory: DDR3, 1GB, 240PIN
20300031	Memory: DDR3, 2GB, 240PIN
20300032	Memory: DDR3, 4GB, 240PIN
20300033	Memory: DDR3, 8GB, 240PIN
A0400807	Wireless LAN: IEEE 802.11 B/G, USB Type
20200028	2.5" Slim Type HD: 160GB SATA Type

Specifications are subject to change without notice. Issue Date: 2011 / 05

EBN

EBN Technology Corp.

EBN Technology Corp.

10F, No.90, Sec.1, Xintai 5th Rd., Xizhi Dist.,
New Taipei City 221, Taiwan (R.O.C.)

TEL : +886-2-2696 9292

FAX : +886-2-2696 9393

E-mail : sales@ebn-pos.com

www.ebn-pos.com