

CR6X Series



Double Printers Broad Band POS Cash Register

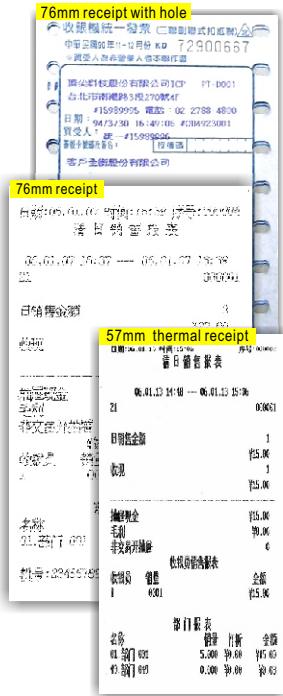
Patent product , counterfeiting not allowed

patent no. of the cash drawer: ZL 03 2 2056 0.0
patent no. of the membrane keyboard: ZL 012 0336 1.8
patent no. of the double-light money detector : 2005 2006 1087 .X

MODEL EXPLICATION

CR6XXxxxxX

2: 76mm dot matrix printer + 57mm thermal printer (second printer)	PLU Quantity
3: 89mm dot matrix printer with hole (M-U111S)	1: 1k
4: 76mm dot matrix printer (M-U1101)	3: 3k
5: 57mm thermal printer	A: 10k
6: 76mm thermal printer	B: 20k
8: 57mm double thermal printer	D: 40k
9: 76mm thermal printer + 57mm thermal printer (second printer)	
D: 57mm dot matrix printer	D: with money detector
1: 14-digit numeric LCD operator display	E: Ethernet
3: 48*112 LCD operator display	F: Fiscal ECR
5: 32*160 LCD operator display	M: 3 RS232 interfaces (fiscal model)
A: 65*132 LCD operator display	R: with pre-paid card payment function
F: 65*192 LCD operator display	U: Slave (USB)



Second printer



Rotatable VFD client display



Inbuilt double-light money detector module



CR62X



CR6X2



Advanced detachable cash drawer

Exclusive Functions

- ※With the inductive M1 Card (Mifare Card), by which it can cooperate with the back office to do the membership and blacklist management. With the software, bring the owner abundant deposit by prepaying.
- ※Inbuilt double-light money detector function (patent), no need to buy other money detector, able to save the valuable counter space.
- ※Able to establish a chain store real time on-line management system via phone line or ADSL Broad Band. (Refer to the back network diagram). Especially convenient for the large chain stores.
- ※One function key can be reused for another function, so to realize the keyboard user defined, and the auto-switching of the key definition under different work situation. (That is defining the hotkeys as the function shortcut keys. Realize the auto-switching function under the application of different editions).
- ※Optional 2.4G 'P-tooth' to connect with pinnacle wireless POS peripheral (customer display, invoice printer, cook room label printer, wireless barcode scanner, wireless login lock, Mifare magcard reader).
- ※Use the long-life electronic hard disk, and no worry about the document miss, since it can store 20 thousand sales reports. Reprint the receipt details by the number.
- ※With two printers (*CR62X/*CR69X) and two paper outlet, no need to use another external printer or changing paper while printing ordering receipt (catering business), daily report, etc.
- ※Originally-developed, innovative removable and renewable hot keypad is an ideal choice for business of restaurant which has no barcode. Shortcut keys can be defined as other function keys.
- ※Originally developed function of continuously working for 2~10 hours after AC power off. No worry about the sudden power off. No need of UPS or even generator.
- ※At restaurant, the Ethernet can control many kitchen printers, and allocate different dishes to different cooks by multi-multi mode.
- ※Has PS/2 port for standard keyboard, used for inputting the PLU and information by typing without connecting with the PC, and for connecting the scanner.
- ※Capable of inputting documents by U disk, (connecting with RS232 and USB case), sending the daily sales information and report to the headquarter, and update the PLU and hotkeys information in many chain shops and stalls.
- ※Patented cash drawer with vertical note inset design, convenient to taking out money and change money. Compartment between notes can be adjusted neatly by the actual notes quantity, and will not close off because of one or two grids are full.
- ※With calculator functions, getting in/out the calculation system at any time doesn't affect the cash register operation. Save space, and keep the counter in order.
- ※Has the software of supermarket edition, restaurant edition, garment edition and entertainment edition (under development), and it's suitable to almost all business fields.

Advanced Functions and Features

- ※Free to define the right side keyboard according to different business fields or language. Keyboard has good touch feel.
- ※PLU quantity is up to 40K, meets the demand of most marketplaces.
- ※With integrated accounting functions including purchase, sale, inventory, stocktaking and gross profit management.
- ※With functional keys for restaurant, supermarket, drugstore, etc. business fields. Work with optional wireless order terminal and kitchen printer system could establish an auto-serving system.
- ※CR6XXE is with Ethernet communication function, can connect with Pinnacle Ethernet kitchen printer to establish many-to-many network restaurant system.
- ※Data update online without interruption to operation process, to keep PLU data latest with back office synchronized. The C language open platform can realize the functions of PC POS.
- ※With function of multi-payment modes, R/A and P/O, currency change, commodity return, etc.
- ※With the function of checking and printing various reports: gross profit report, daily report, periodical report, department report, PLU report and promoter report, ect.. (Capable of checking Gross profit report for 1000 days (about 3 years) and periodical gross profit report).

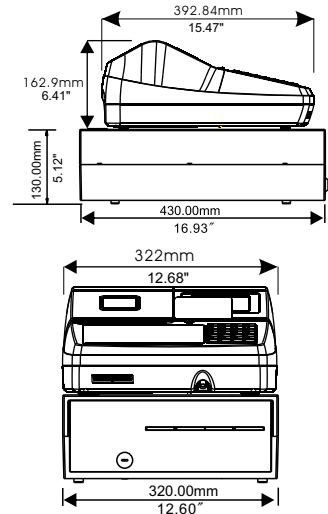
Other Functions

- ※Low battery voltage alert function for charging hint.
- ※Able to display in four lines the sales PLU data, battery voltage, date and time on the LCD screen.
- ※Able to support various barcodes, such as EAN-13, EAN-8, and 45 kinds of EAN-13 shop code systems and 6 kinds of 18-unit shop codes. And the barcode *UPC-A, *UPC-E, *ISBN will be added anon.
- ※Able to support multi payment (cash, credit card, pre-pay card)
- ※Use thermal printer, which has high speed and printing quietly.
- ※Password can be casually changed to control the key functions.
- ※Training and standard modes can be switched at any time to train the new employee.

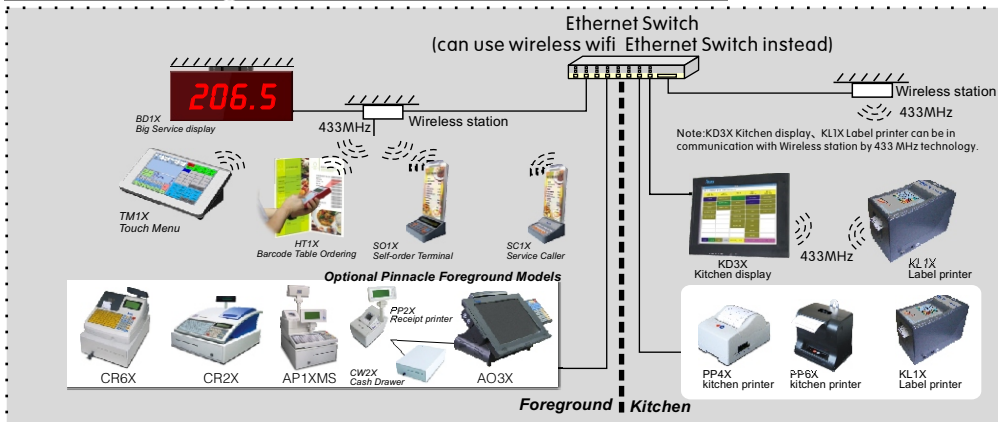
Specifications

Interface	PS/2 *1, PC port *1, to connect PC keyboard, magcard reader, scanner, etc. External devices.
Power supply	AC 220V/DC Inbuilt battery: DC6V 4.5AH 2~10 hours UPS
Cash drawer	8-10 notes, adjustable component and with optional metal cover can be taken out to settle accounts in back office
Keyboard	36 stroke keys, 80*2 hotkeys
Operating Temperature	-5°C ~40°C
Weight	3.2kg (without cash drawer and power supply)
Printing speed	36 stroke keys, 80*2 hot keys
Paper width	50mm/s (varies according to the print density +10% ~ 30%)
RS232 port	57mm/76mm/76mm with hole
Ethernet port	CR6XM 3*RS232, CR6XX 1*RS232
Operating Humidity	CR6XE 1*Ethernet
Printer type	10%~85% R.H.
Client display	Thermal printer
Operator display	9 characters single line VFD display 48*112 Dot Graphic LCD (9*4 line characters) 65*132 Dot Graphic LCD (11*5 line characters)

Dimensions

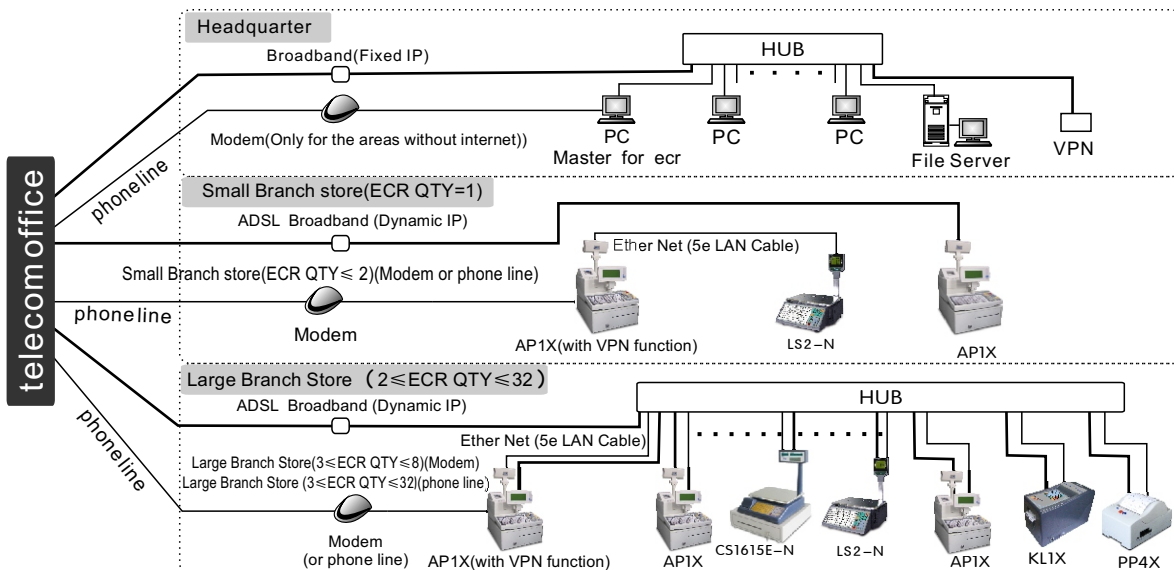


Network diagram of kitchen and restaurant



(drawer core with cover can be taken to settle accounts in back office)

The connection diagram of Broad Band POS Cash Register



Note1:

1. The bold line is diagram between head store and its branch, while the filament indicates the remote branch where no ADSL but modem instead.
2. Most of our cash register and label scale with Ethernet can meet the above function.
3. Except server, other machines can use our LB15X, CS1X instead.

Note2:

- 1: *Under developing function.
- 2: Functions and appearance are subject to change without notice. Please refer to practicality.