



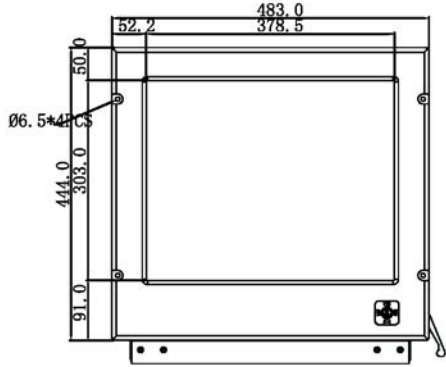
19"

Intel series Marine Panel PC(S2)

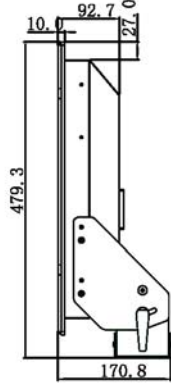
Model#: R19I37T-MRA1-S2



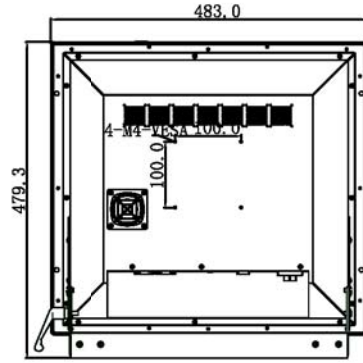
Mechanical Design with Robust Bracket (options)



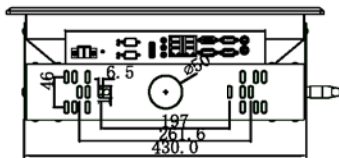
FRONT VIEW



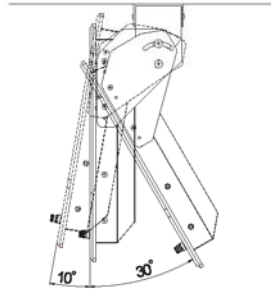
SIDE VIEW



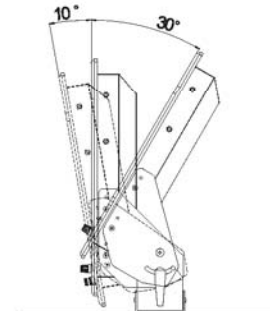
BACK VIEW



BOTTOM VIEW

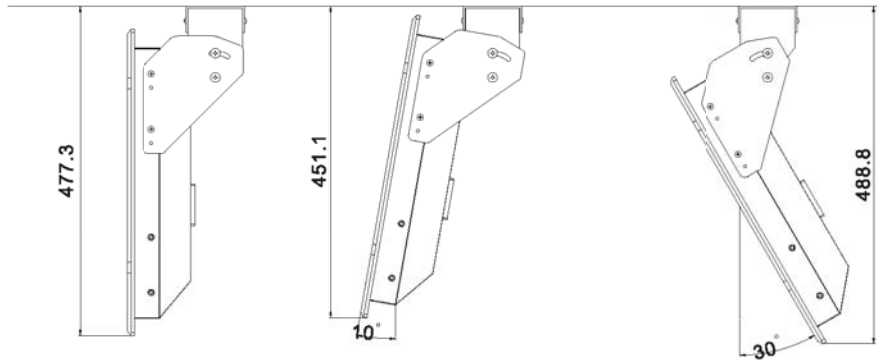


ROOF MOUNT

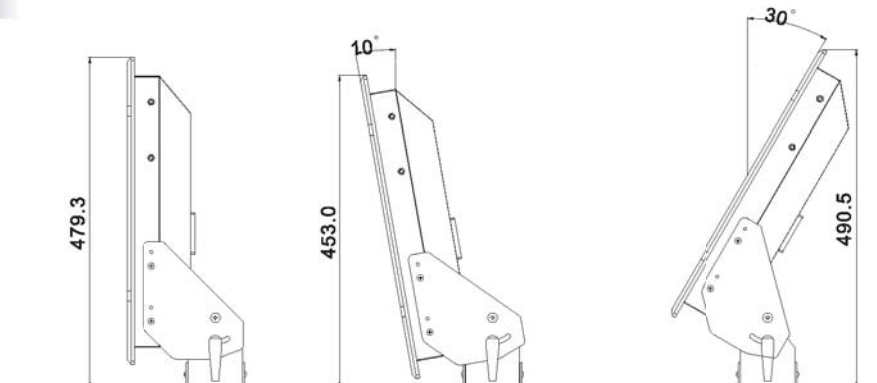


STAND ANGLE

ROOF MOUNT



STAND ANGLE



*Note: this is a simplified drawing and some components are not marked in detail. Please contact our sales representative if you need further product information.

Certification and Approvals : CE, FCC

All Dimensions are ±0.5mm



Rev.	Reasons	Revised Date
1.0	First release	Aug-21-09